

## Tubular Handles

### SPECIFICATION

#### Types

- Type **A**: Mounting from the back (threaded blind bore)
- Type **B**: Mounting from the operator's side (only for  $d_1=28$ )

Handle tube

Aluminum (wall thickness 1.5)

Handle legs

Zinc die casting

Tube **SW**

Powder coated

Black, RAL 9005, textured finish

Handle legs powder coated

Black, RAL 9005, textured finish

Tube **EL**

Anodized, natural color

Handle legs powder coated

Black, RAL 9005, textured finish

Tube **ES**

Anodized, natural color

Handle legs powder coated

Silver, RAL 9006, textured finish

Cover

Plastic, light gray

Type B

- Socket button head screws ISO 7380-M6-20

- Hexagon nuts ISO 4032-M6

- Washers DIN 125

Steel, zinc plated, blue passivated



### INFORMATION

The handle tube of the GN 333.1 tubular handles can be screwed to the handle bases without further machining or processing, allowing **special lengths** to be realised easily.

Further handle legs can be added for very long tubular handles. Individual handle legs for tubular handles  $\varnothing 28$  (type A) are available under GN 333.9 (see page 501).

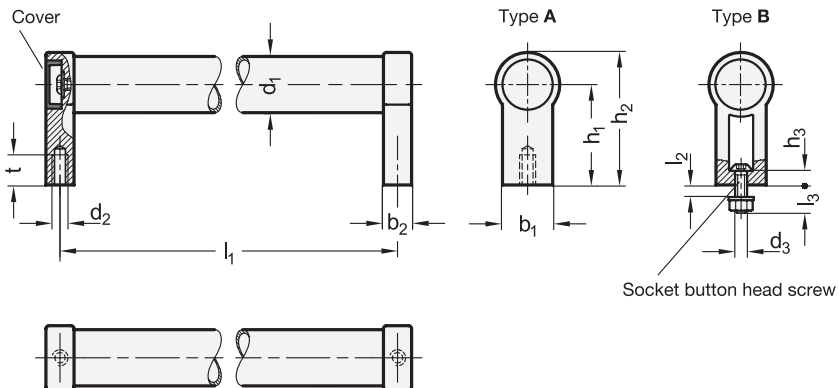
For type B, socket button head screws, hexagon nuts and washers are included parts of the order.

### ACCESSORY

- Handle legs GN 333.9 (see page 501)

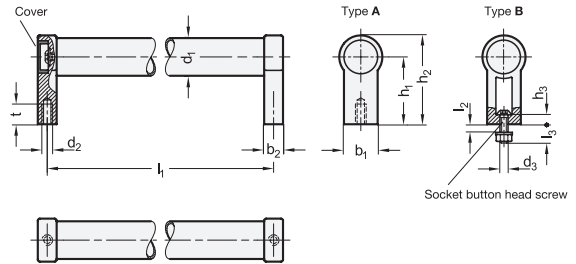
### TECHNICAL INFORMATION

- Load rating information (see page A35)



GN 333.1-SW

Description	d1	l1 ±0.25	d2	d3	b1	b2	h1	h2	h3	l2 max.	l3	t min.	
GN 333.1-20-180-A-SW	20	180	M 6	-	24	12	42	54	-	-	-	12	190
GN 333.1-20-200-A-SW	20	200	M 6	-	24	12	42	54	-	-	-	12	200
GN 333.1-20-250-A-SW	20	250	M 6	-	24	12	42	54	-	-	-	12	208
GN 333.1-20-300-A-SW	20	300	M 6	-	24	12	42	54	-	-	-	12	237
GN 333.1-20-350-A-SW	20	350	M 6	-	24	12	42	54	-	-	-	12	250
GN 333.1-20-400-A-SW	20	400	M 6	-	24	12	42	54	-	-	-	12	290
GN 333.1-28-200-A-SW	28	200	M 8	-	25	14	50	66	-	-	-	15	340
GN 333.1-28-250-A-SW	28	250	M 8	-	25	14	50	66	-	-	-	15	360
GN 333.1-28-300-A-SW	28	300	M 8	-	25	14	50	66	-	-	-	15	390
GN 333.1-28-350-A-SW	28	350	M 8	-	25	14	50	66	-	-	-	15	417
GN 333.1-28-400-A-SW	28	400	M 8	-	25	14	50	66	-	-	-	15	440
GN 333.1-28-500-A-SW	28	500	M 8	-	25	14	50	66	-	-	-	15	495
GN 333.1-28-600-A-SW	28	600	M 8	-	25	14	50	66	-	-	-	15	500
GN 333.1-30-200-A-SW	30	200	M 8	-	27	17	51	68	-	-	-	15	320
GN 333.1-30-300-A-SW	30	300	M 8	-	27	17	51	68	-	-	-	15	381
GN 333.1-30-350-A-SW	30	350	M 8	-	27	17	51	68	-	-	-	15	407
GN 333.1-30-400-A-SW	30	400	M 8	-	27	17	51	68	-	-	-	15	440
GN 333.1-30-500-A-SW	30	500	M 8	-	27	17	51	68	-	-	-	15	500
GN 333.1-30-600-A-SW	30	600	M 8	-	27	17	51	68	-	-	-	15	570
GN 333.1-30-1000-A-SW	30	1000	M 8	-	27	17	51	68	-	-	-	15	800
GN 333.1-28-200-B-SW	28	200	-	M 6	25	14	50	66	7	6	13	-	300
GN 333.1-28-250-B-SW	28	250	-	M 6	25	14	50	66	7	6	13	-	360
GN 333.1-28-300-B-SW	28	300	-	M 6	25	14	50	66	7	6	13	-	360
GN 333.1-28-350-B-SW	28	350	-	M 6	25	14	50	66	7	6	13	-	380
GN 333.1-28-400-B-SW	28	400	-	M 6	25	14	50	66	7	6	13	-	440
GN 333.1-28-500-B-SW	28	500	-	M 6	25	14	50	66	7	6	13	-	480
GN 333.1-28-600-B-SW	28	600	-	M 6	25	14	50	66	7	6	13	-	500



GN 333.1-EL

Description	d1	l1 ±0.25	d2	d3	b1	b2	h1	h2	h3	l2 max.	l3	t min.	
GN 333.1-20-180-A-EL	20	180	M 6	-	24	12	42	54	-	-	-	12	190
GN 333.1-20-200-A-EL	20	200	M 6	-	24	12	42	54	-	-	-	12	200
GN 333.1-20-250-A-EL	20	250	M 6	-	24	12	42	54	-	-	-	12	200
GN 333.1-20-300-A-EL	20	300	M 6	-	24	12	42	54	-	-	-	12	230
GN 333.1-20-350-A-EL	20	350	M 6	-	24	12	42	54	-	-	-	12	245
GN 333.1-20-400-A-EL	20	400	M 6	-	24	12	42	54	-	-	-	12	263
GN 333.1-28-200-A-EL	28	200	M 8	-	25	14	50	66	-	-	-	15	340
GN 333.1-28-250-A-EL	28	250	M 8	-	25	14	50	66	-	-	-	15	360
GN 333.1-28-300-A-EL	28	300	M 8	-	25	14	50	66	-	-	-	15	397
GN 333.1-28-350-A-EL	28	350	M 8	-	25	14	50	66	-	-	-	15	419
GN 333.1-28-400-A-EL	28	400	M 8	-	25	14	50	66	-	-	-	15	450
GN 333.1-28-500-A-EL	28	500	M 8	-	25	14	50	66	-	-	-	15	480
GN 333.1-28-600-A-EL	28	600	M 8	-	25	14	50	66	-	-	-	15	550
GN 333.1-30-200-A-EL	30	200	M 8	-	27	17	51	68	-	-	-	15	318
GN 333.1-30-300-A-EL	30	300	M 8	-	27	17	51	68	-	-	-	15	380
GN 333.1-30-350-A-EL	30	350	M 8	-	27	17	51	68	-	-	-	15	405
GN 333.1-30-400-A-EL	30	400	M 8	-	27	17	51	68	-	-	-	15	440
GN 333.1-30-500-A-EL	30	500	M 8	-	27	17	51	68	-	-	-	15	467
GN 333.1-30-600-A-EL	30	600	M 8	-	27	17	51	68	-	-	-	15	600
GN 333.1-30-1000-A-EL	30	1000	M 8	-	27	17	51	68	-	-	-	15	800
GN 333.1-28-200-B-EL	28	200	-	M 6	25	14	50	66	7	6	13	-	305
GN 333.1-28-250-B-EL	28	250	-	M 6	25	14	50	66	7	6	13	-	360
GN 333.1-28-300-B-EL	28	300	-	M 6	25	14	50	66	7	6	13	-	353
GN 333.1-28-350-B-EL	28	350	-	M 6	25	14	50	66	7	6	13	-	381
GN 333.1-28-400-B-EL	28	400	-	M 6	25	14	50	66	7	6	13	-	440
GN 333.1-28-500-B-EL	28	500	-	M 6	25	14	50	66	7	6	13	-	470
GN 333.1-28-600-B-EL	28	600	-	M 6	25	14	50	66	7	6	13	-	500

GN 333.1-ES

Description	d1	l1 ±0.25	d2	d3	b1	b2	h1	h2	h3	l2 max.	l3	t min.	
GN 333.1-20-180-A-ES	20	180	M 6	-	24	12	42	54	-	-	-	12	190
GN 333.1-20-200-A-ES	20	200	M 6	-	24	12	42	54	-	-	-	12	200
GN 333.1-20-250-A-ES	20	250	M 6	-	24	12	42	54	-	-	-	12	200
GN 333.1-20-300-A-ES	20	300	M 6	-	24	12	42	54	-	-	-	12	230
GN 333.1-20-350-A-ES	20	350	M 6	-	24	12	42	54	-	-	-	12	210
GN 333.1-20-400-A-ES	20	400	M 6	-	24	12	42	54	-	-	-	12	290
GN 333.1-28-200-A-ES	28	200	M 8	-	25	14	50	66	-	-	-	15	340
GN 333.1-28-250-A-ES	28	250	M 8	-	25	14	50	66	-	-	-	15	360
GN 333.1-28-300-A-ES	28	300	M 8	-	25	14	50	66	-	-	-	15	390
GN 333.1-28-350-A-ES	28	350	M 8	-	25	14	50	66	-	-	-	15	420
GN 333.1-28-400-A-ES	28	400	M 8	-	25	14	50	66	-	-	-	15	460
GN 333.1-28-500-A-ES	28	500	M 8	-	25	14	50	66	-	-	-	15	480
GN 333.1-28-600-A-ES	28	600	M 8	-	25	14	50	66	-	-	-	15	500
GN 333.1-30-200-A-ES	30	200	M 8	-	27	17	51	68	-	-	-	15	300
GN 333.1-30-300-A-ES	30	300	M 8	-	27	17	51	68	-	-	-	15	374
GN 333.1-30-350-A-ES	30	350	M 8	-	27	17	51	68	-	-	-	15	405
GN 333.1-30-400-A-ES	30	400	M 8	-	27	17	51	68	-	-	-	15	418
GN 333.1-30-500-A-ES	30	500	M 8	-	27	17	51	68	-	-	-	15	480
GN 333.1-30-600-A-ES	30	600	M 8	-	27	17	51	68	-	-	-	15	450
GN 333.1-30-1000-A-ES	30	1000	M 8	-	27	17	51	68	-	-	-	15	680
GN 333.1-28-200-B-ES	28	200	-	M 6	25	14	50	66	7	6	13	-	320
GN 333.1-28-250-B-ES	28	250	-	M 6	25	14	50	66	7	6	13	-	320
GN 333.1-28-300-B-ES	28	300	-	M 6	25	14	50	66	7	6	13	-	360
GN 333.1-28-350-B-ES	28	350	-	M 6	25	14	50	66	7	6	13	-	400
GN 333.1-28-400-B-ES	28	400	-	M 6	25	14	50	66	7	6	13	-	440
GN 333.1-28-500-B-ES	28	500	-	M 6	25	14	50	66	7	6	13	-	480
GN 333.1-28-600-B-ES	28	600	-	M 6	25	14	50	66	7	6	13	-	500

